

# 70TV Tandem Axle Vanguard

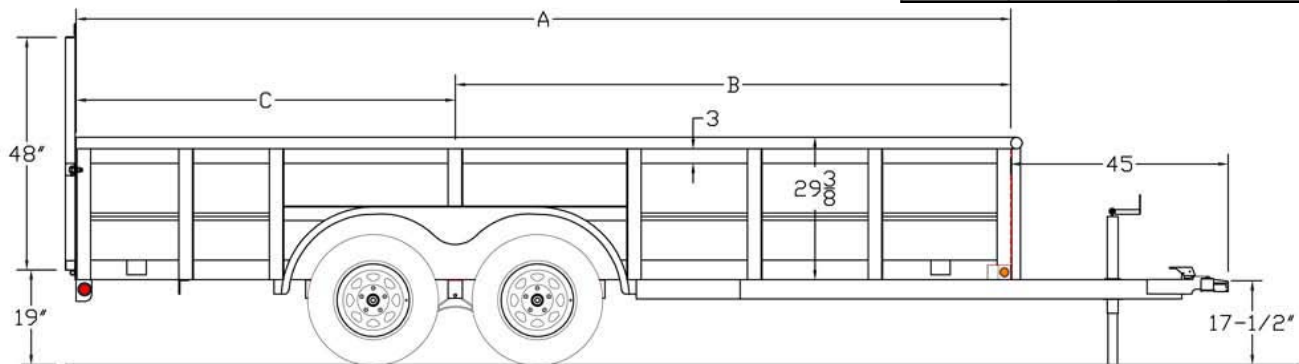
<b>G.V.W.R.</b>	7,000#	<b>AXLES</b>	Two 3,500# EZ Lube w/1 Elec. Brake
<b>G.A.W.R. (Ea. Axle)</b>	3,500#	<b>SUSPENSION</b>	Multi-Leaf Spring
<b>COUPLER</b>	7K 2" Forged Coupler	<b>TIRE</b>	ST205/75-15 Load Range C
<b>SAFETY CHAINS</b>	1/4" Grd. 70 w/Safety Latch Hook (2 each)	<b>WHEEL</b>	15 x 5 White Spoke 5 Bolt
<b>JACK</b>	2,000# Top Wind (Bolted On)	<b>FLOOR</b>	2" Pine
<b>TONGUE</b>	4" Channel Fold Back Tongue	<b>LIGHTS</b>	D.O.T. Stop, Tail, Turn & Clearance
<b>TOP RAIL</b>	2-3/8" Pipe Top Rail	<b>ELEC. PLUG</b>	7-Way RV
<b>FRAME</b>	4" x 3" x 1/4" Angle	<b>FINISH (Prep)</b>	Steel is Cleaned and Etched to Ensure Smooth, High Bond Paint Adhesion.
<b>CROSSMEMBERS</b>	3" x 2" x 3/16" Angle	<b>FINISH</b>	Painted with High-Solids Supreme Automotive Grade Enamel and Pin-Striped for a Highly Decorative and Protective Finish.
<b>UPRIGHTS</b>	3" x 2" x 3/16" Angle 29-3/8" Tall		
<b>FENDERS</b>	9" x 72" Tear Drop		

## Standard Features

- Forged Coupler
- Safety Chains Attached w/Cold Rolled Eyelets
- Sand Foot on Jack
- Set Back Jack
- Lower Jack Support Plate
- Fold Back Tongue (14' and longer)
- 83" Wide (Inside)
- 29-3/8" Sides w/24" V-Crimped Steel Panels & 2-1/2" Opening
- 2-3/8" Pipe Top Rail
- Floor Secured w/Torx Screws
- 4 Tie Down Loops Inside
- Cambered EZ Lube Axles
- Two 3,500# Axles w/1 Electric Brake
- Complete Break-A-Way System w/Charger
- Grommet Mount Sealed Lighting

Shown with Optional 4' Rampgate

Dimensions			
Length	A	B	C
12'	145-1/2"	85"	60-1/2"
14'	169-1/2"	103"	66-1/2"
16'	193-1/2"	115"	78-1/2"



MODEL#	WEIGHT	DESCRIPTION
70TV-12	1,810#	83" x 12' Tandem Axle Vanguard
70TV-14	1,990#	83" x 14' Tandem Axle Vanguard
70TV-16	2,010#	83" x 16' Tandem Axle Vanguard

### OPTIONS

2-5/16" Stamped Coupler	Spare Tire (ST205/75-15 LR-C)
2-5/16" Forged Coupler	Tire Upgrade (ST225/75-15 LR-D)
2K Fold-Up Jack	Spare Tire Upgrade (ST225/75-15 LR-D)
Electric Brakes on 2nd Axle	4' Rampgate (7 W)
Hydraulic Brakes 1 Axle w/Toledo Actuator	Gas Spring Assist Option - Rampgate
Hydraulic Brakes 2 Axles w/Toledo Actuator	Removable Landscape Box
Spare Tire Mount	Tool Holders (Each)