

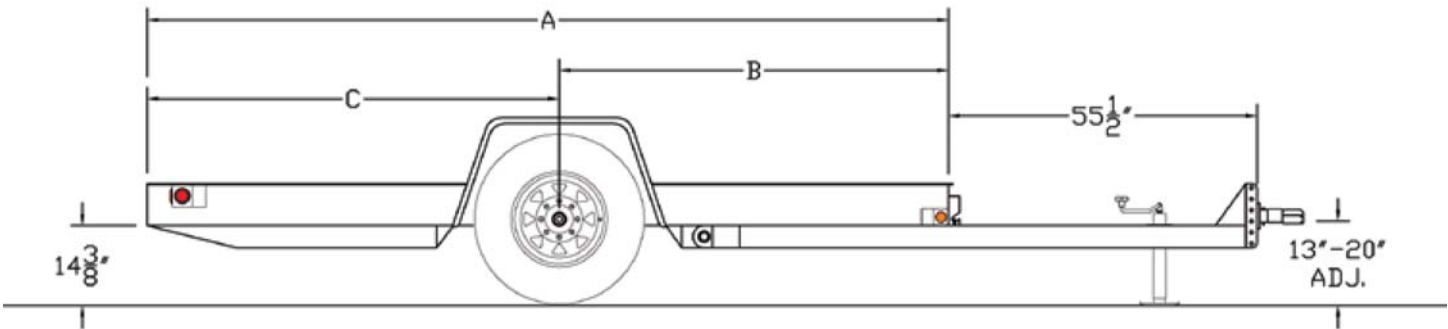
60TP Single Axle Pan Tilt Transport

| | | | |
|----------------------------|---|----------------------|---|
| G.V.W.R. | 6,000# | AXLE | 6,000# EZ Lube Torflex Electric Brake |
| G.A.W.R. (Ea. Axle) | 6,000# | SUSPENSION | Torsion |
| COUPLER | Adjustable Forged 2-5/16" | TIRE | ST235/16 - Load Range E |
| SAFETY CHAINS | 1/4" Grd. 70 w/Safety Latch Hook (2 each) | WHEEL | 16 x 6 White Spoke 8 Bolt |
| JACK | 2,000# Swivel Mount | LIGHTS | D.O.T. Stop, Tail, Turn & Clearance |
| TONGUE | 4" x 2" Square Tubing | ELEC. PLUG | 7-Way RV |
| BED | 3/16" Steel Pan | FINISH (Prep) | Steel is Cleaned and Etched to Ensure Smooth, High Bond Paint Adhesion. |
| CROSSMEMBERS | 3" Channel | FINISH | Painted with High-Solids Supreme Automotive Grade Enamel and Pin-Striped for a Highly Decorative and Protective Finish. |
| FENDERS | 16 Ga. Jeep Style | | |

Standard Features

- Fold Up Jack
- Safety Chains Attchd w/Cold Rolled Eyelets
- Safety Reflective Marker Tape
- 1 Piece 3/16" Formed Pan
- Texturized Floor for Increased Traction
- 78" Inside Dimension
- Four D-Rings (Inside Pan)
- 6,000# Axle w/Electric Brake
- Cambered EZ Lube Torsion Axles
- Complete Break-A-Way System w/Battery & Charger
- Tilt Bed w/Heavy Duty Latch
- 11 Degree Tilt Angle
- Grommet Mount Sealed Lighting

| Dimensions With Dovetail | | | |
|--------------------------|------|-----|-----|
| Length | A | B | C |
| 12' | 144" | 70" | 74" |



| MODEL# | WEIGHT | DESCRIPTION |
|---------|--------|-------------------------------|
| 60TP-12 | 1,730# | 78" x 12' Equipment Transport |

OPTIONS

| | |
|------------------------------------|---------------------------------------|
| Adjustable 3" Pintle | Spare Tire (ST235/16 LR-E) |
| Hydraulic Surge Brakes on One Axle | Spare Tire Mount (Vertical on Tongue) |