

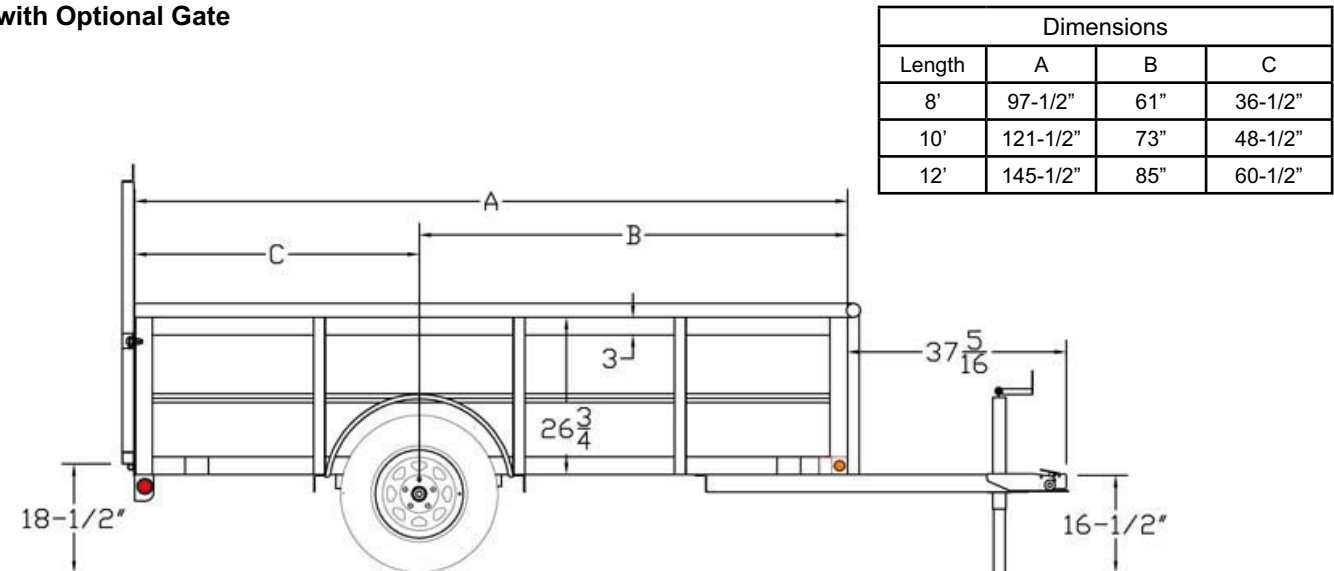
30SV / 35SV Single Axle Vanguard

| | | | |
|----------------------|---|----------------------|---|
| G.V.W.R. | 2,995# | AXLE | 3,500# EZ Lube w/Brake Flanges |
| G.A.W.R. | 2,995# | SUSPENSION | Multi-Leaf Spring |
| COUPLER | 2" A-Frame | TIRE | ST205/75-15 Load Range C |
| SAFETY CHAINS | 1/4" Grd. 30 w/Safety Latch Hook (2 each) | WHEEL | 15 x 5 White Spoke 5 Bolt |
| JACK | 2,000# Top Wind (Bolted On) | FLOOR | 2" Pine |
| TONGUE | 3" Channel | LIGHTS | D.O.T. Stop, Tail, Turn & Clearance |
| TOP RAIL | 2-3/8" Pipe | ELEC. PLUG | 4-Way Flat w/Loom |
| FRAME | 3" x 2" x 3/16" Angle | FINISH (Prep) | Steel is Cleaned and Etched to Ensure Smooth, High Bond Paint Adhesion. |
| CROSSMEMBERS | 3" x 2" x 3/16" Angle | FINISH | Painted with High-Solids Supreme Automotive Grade Enamel and Pin-Striped for a Highly Decorative and Protective Finish. |
| UPRIGHTS | 3" x 2" & 2" x 2" Angle, 26-3/4" Tall | | |
| FENDERS | 9" x 32" Rolled Formed | | |

Standard Features

- Safety Chains Attached w/Cold Rolled Eyelets
- Sand Foot on Jack
- Lower Jack Support Plate
- 26-3/4" Tall Sides w/24" V-Crimped Steel Panels
- 4-Tie Down Loops Inside Bed
- Top Rail Capped w/Self Sealing Plugs
- Floor Secured w/Torx Screws
- EZ Lube Axle
- Grommet Mount Sealed Lighting

Shown with Optional Gate



| MODEL# | WEIGHT | DESCRIPTION |
|---------|--------|--------------------------------|
| 30SV-08 | 880# | 60" x 8' Single Axle Vanguard |
| 30SV-10 | 960# | 60" x 10' Single Axle Vanguard |
| 30SV-12 | 1,130# | 60" x 12' Single Axle Vanguard |
| 35SV-10 | 1,100# | 77" x 10' Single Axle Vanguard |
| 35SV-12 | 1,290# | 77" x 12' Single Axle Vanguard |

OPTIONS

| | |
|---|--|
| 2" Forged Coupler | Spare Tire (ST205/75-15 LR-C) |
| 2K Fold-Up Jack | 4' Rampgate 5 W - 3 Center Uprights |
| Set Back Jack | 4' Rampgate 6.5 W - 4 Center Uprights |
| Electric Brakes w/Complete Break-Away Kit | Gas Spring Assist Option - Rampgate |
| Spare Tire Mount (Side) | Removable Landscape Box - 24" x 24" x Width of Trailer |