

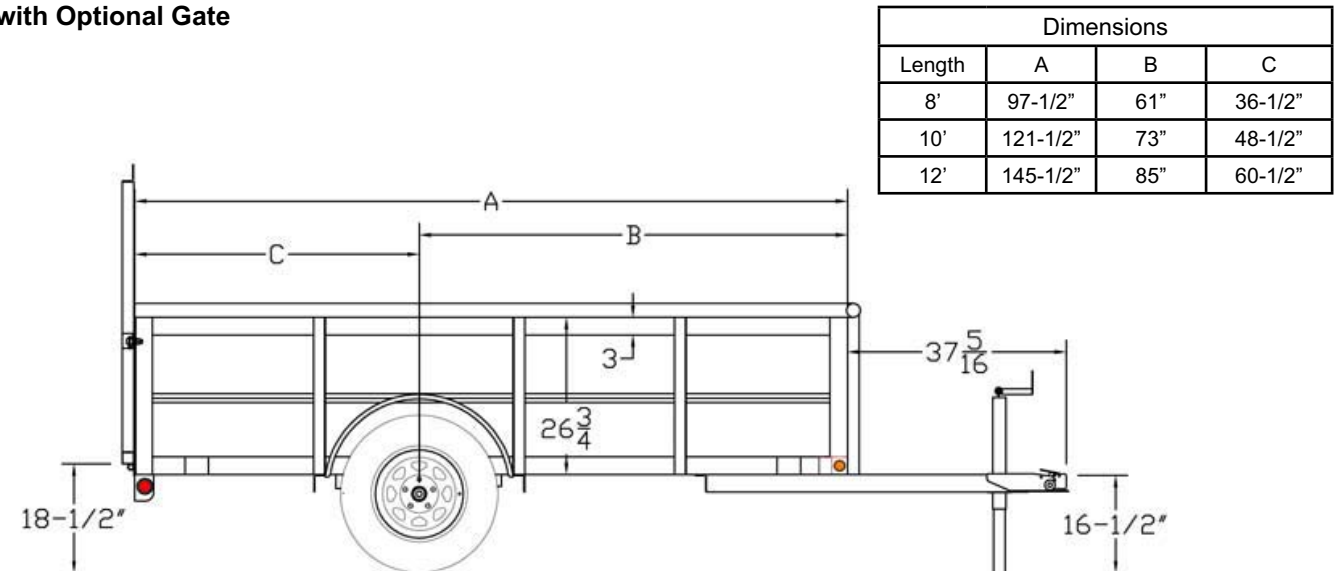
30SV / 35SV Single Axle Vanguard

G.V.W.R.	2,995#	AXLE	3,500# EZ Lube w/Brake Flanges
G.A.W.R.	2,995#	SUSPENSION	Multi-Leaf Spring
COUPLER	2" A-Frame	TIRE	ST205/75-15 Load Range C
SAFETY CHAINS	1/4" Grd. 30 w/Safety Latch Hook (2 each)	WHEEL	15 x 5 White Spoke 5 Bolt
JACK	2,000# Top Wind (Bolted On)	FLOOR	2" Pine
TONGUE	3" Channel	LIGHTS	D.O.T. Stop, Tail, Turn & Clearance
TOP RAIL	2-3/8" Pipe	ELEC. PLUG	4-Way Flat w/Loom
FRAME	3" x 2" x 3/16" Angle	FINISH (Prep)	Steel is Cleaned and Etched to Ensure Smooth, High Bond Paint Adhesion.
CROSSMEMBERS	3" x 2" x 3/16" Angle	FINISH	Painted with High-Solids Supreme Automotive Grade Enamel and Pin-Striped for a Highly Decorative and Protective Finish.
UPRIGHTS	3" x 2" & 2" x 2" Angle, 26-3/4" Tall		
FENDERS	9" x 32" Rolled Formed		

Standard Features

- Safety Chains Attached w/Cold Rolled Eyelets
- Sand Foot on Jack
- Lower Jack Support Plate
- 26-3/4" Tall Sides w/24" V-Crimped Steel Panels
- 4-Tie Down Loops Inside Bed
- Top Rail Capped w/Self Sealing Plugs
- Floor Secured w/Torx Screws
- EZ Lube Axle
- Grommet Mount Sealed Lighting

Shown with Optional Gate



MODEL#	WEIGHT	DESCRIPTION
30SV-08	880#	60" x 8' Single Axle Vanguard
30SV-10	960#	60" x 10' Single Axle Vanguard
30SV-12	1,130#	60" x 12' Single Axle Vanguard
35SV-10	1,100#	77" x 10' Single Axle Vanguard
35SV-12	1,290#	77" x 12' Single Axle Vanguard

OPTIONS

2" Forged Coupler	Spare Tire (ST205/75-15 LR-C)
2K Fold-Up Jack	4' Rampgate 5 W - 3 Center Uprights
Set Back Jack	4' Rampgate 6.5 W - 4 Center Uprights
Electric Brakes w/Complete Break-Away Kit	Gas Spring Assist Option - Rampgate
Spare Tire Mount (Side)	Removable Landscape Box - 24" x 24" x Width of Trailer