

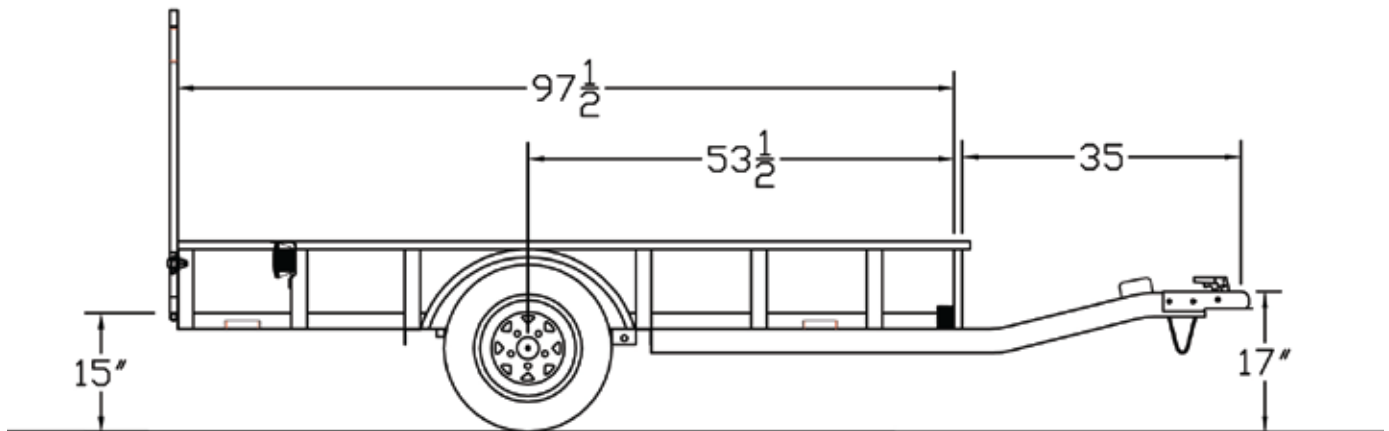
# 15LT *Lil Tex Utility*

<b>G.V.W.R.</b>	1,500#	<b>AXLE</b>	2,000# EZ Lube
<b>G.A.W.R.</b>	1,500#	<b>SUSPENSION</b>	Multi-Leaf Slipper Spring
<b>COUPLER</b>	2"	<b>TIRE</b>	4.80-12" Load Range C
<b>SAFETY CHAINS</b>	1/4" Grd. 30 w/Safety Latch Hook (2 each)	<b>WHEEL</b>	12 x 4 White Spoke 5 Bolt
<b>JACK</b>	None	<b>FLOOR</b>	2" Pine
<b>TONGUE</b>	Single 2" x 3" Tubing	<b>LIGHTS</b>	D.O.T. Stop, Tail, Turn & Clearance
<b>TOP RAIL</b>	1-1/4" x 1-3/4" Pre-Formed Tube	<b>ELEC. PLUG</b>	4-Way Flat w/Loom
<b>FRAME</b>	2" x 2" x 1/8" Angle	<b>FINISH (Prep)</b>	Steel is Cleaned and Etched to Ensure Smooth, High Bond Paint Adhesion.
<b>CROSSMEMBERS</b>	2" x 2" x 1/8" Angle	<b>FINISH</b>	Painted with High-Solids Supreme Automotive Grade Enamel and Pin-Striped for a Highly Decorative and Protective Finish.
<b>UPRIGHTS</b>	10" Tall 2" x 1" Tubing		
<b>FENDERS</b>	7" x 28" Rolled Formed w/Back		

## Standard Features

- Safety Chains Attached w/Cold Rolled Eyelets
- Lower Tongue Support & Handle
- 4 Tie Downs
- Tubular Raised Tongue
- Floor Secured w/Torx Screws
- Radius 1-PC Tubular Top Rail
- EZ Lube Axle

### Shown with Optional Gate



MODEL#	WEIGHT	DESCRIPTION
15LT-08	400#	50" x 8' Single Axle

### OPTIONS

3' Rampgate w/Expanded Metal
------------------------------

STANDARD MODEL - NO OTHER OPTIONS AVAILABLE