

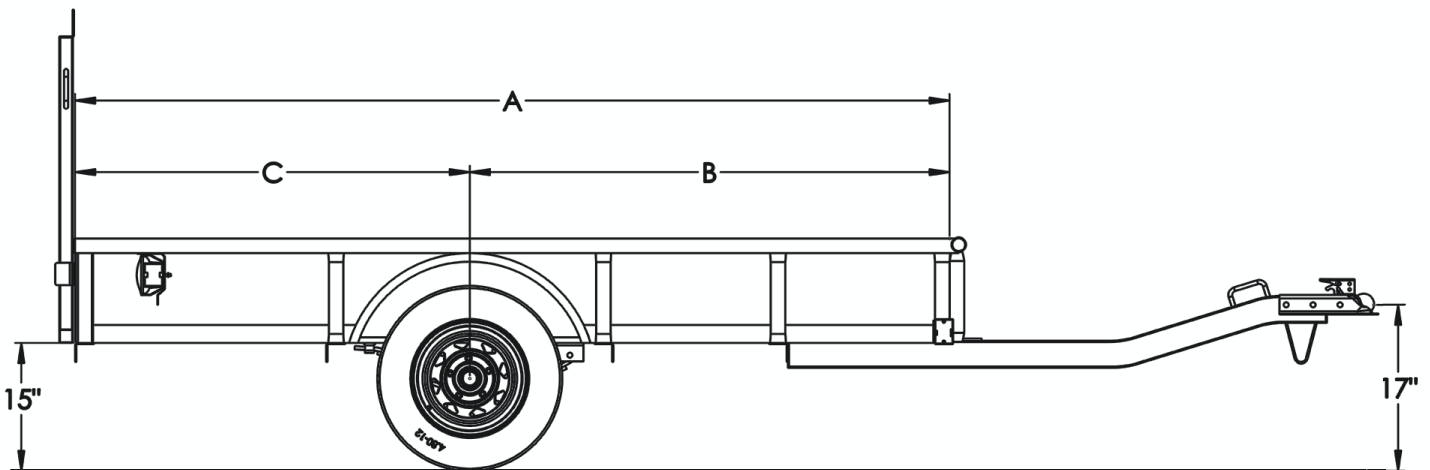
15XT Single Axle Utility

G.V.W.R.	1,500#	AXLE	2,000# EZ Lube
G.A.W.R.	1,500#	SUSPENSION	Multi-Leaf Slipper Spring
COUPLER	2"	TIRE	4.80-12" Load Range C
SAFETY CHAINS	1/4" Grd. 30 w/Safety Latch Hook (2 each)	WHEEL	12 x 4 White Spoke 5 Bolt
JACK	None	FLOOR	1-1/2 x #9 Expanded Metal
TONGUE	Single 2" x 3" Tubing	LIGHTS	D.O.T. Stop, Tail, Turn & Clearance
TOP RAIL	1-5/8" OD Pipe	ELEC. PLUG	4-Way Flat w/Loom
FRAME	2" x 2" x 1/8" Angle	FINISH (Prep)	Steel is Cleaned and Etched to Ensure Smooth, High Bond Paint Adhesion.
CROSSMEMBERS	2" x 2" x 1/8" Angle	FINISH	Painted with High-Solids Supreme Automotive Grade Enamel and Pin-Striped for a Highly Decorative and Protective Finish.
UPRIGHTS	10" Tall Formed Pipe		
FENDERS	7" x 28" Rolled Formed w/Back		

Standard Features

- Safety Chains Attached w/Cold Rolled Eyelets
- Tubular Raised Tongue
- Lower Tongue Support & Handle
- Expanded Metal Floor
- 4 Tie Downs
- 1-1/2" Tubular Rampgate w/Expanded Metal
- EZ Lube Axle

DIMENSIONS			
LENGTH	A	B	C
6'	72"	47"	25"
8'	97 -1/2"	53-1/2"	44"



MODEL#	WEIGHT	DESCRIPTION
15XT-06	330#	50" x 6' Single Axle
15XT-08	380#	60" x 8' Single Axle