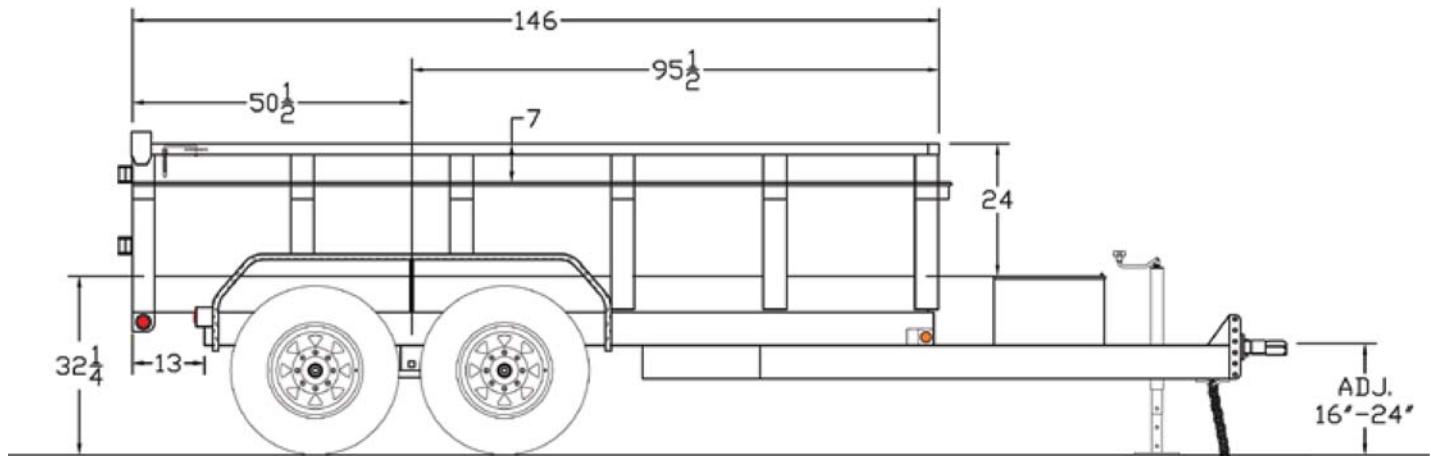


# 12LX Tandem Axle Low Profile Extra Wide Dump

<b>G.V.W.R.</b>	12,000#	<b>AXLES</b>	Two 6,000# EZ Lube w/Elec. Brakes
<b>G.A.W.R. (Ea. Axle)</b>	6,000#	<b>SUSPENSION</b>	Multi-Leaf Slipper Spring w/Equalizer
<b>COUPLER</b>	Adjustable Forged 2-5/16"	<b>TIRE</b>	ST235/16 Load Range E
<b>SAFETY CHAINS</b>	1/4" Grd. 70 w/Safety Latch Hook (2 each)	<b>WHEEL</b>	16 x 6 White Spoke 8 Bolt
<b>JACKS</b>	7K TW Drop Leg (Bolted On)	<b>FLOOR</b>	12 Gauge Smooth Steel
<b>TONGUE</b>	6" Channel	<b>LIGHTS</b>	D.O.T. Stop, Tail, Turn & Clearance
<b>FRAME</b>	6" Channel	<b>ELEC. PLUG</b>	7-Way RV
<b>CROSSMEMBERS</b>	4" 13# I-Beam	<b>FINISH (Prep)</b>	Steel is Cleaned and Etched to Ensure Smooth, High Bond Paint Adhesion.
<b>BED CROSSMEMBERS</b>	2" x 2" Square Tubing 14" oc.	<b>FINISH</b>	Painted with High-Solids Supreme Automotive Grade Enamel and Pin-Striped for a Highly Decorative and Protective Finish.
<b>BED LONG SILS</b>	4" Channel		
<b>BED SIDE RAILS</b>	6-1/2" Formed Angle		
<b>FENDERS</b>	Double Square Broke Diamond Plate		

## Standard Features

- Safety Chains Attached w/Cold Rolled Eyelets
- Enclosed Pump & Battery Box Mounted in Front of Bed
- Lockable Control Unit
- 24", 12 Ga. Sides w/Formed Channel Supports
- Modular Sealed Wiring Harness
- 12 Ga. Floor
- 1/2" Tie Rail on all 4 Sides
- 16 Stake Pockets (Sides & Front)
- 4-5/8" D-Rings Inside Bed
- Self Contained Electric/Hydraulic Scissor Lift
- 45 Degree Dump Angle
- Cambered EZ Lube Axles
- Complete Break-A-Way System w/Charge Line
- Grommet Mount Sealed Lighting
- Double Rear Gates w/Cam Latch
- Removable Header Across Rear



MODEL#	DESCRIPTION
12LX-12	83" x 12' Low Profile Tandem Axle Dump

## TRAILER WEIGHTS & CAPACITIES

LENGTH	EMPTY WEIGHT	PAYLOAD	BOX CAPACITY
12'	3,780#	8,250#	6.2 Cubic Yards

### OPTIONS

Hydraulic Surge Brakes on Both Axles	3 Way Gate
12K Heavy Duty Top Wind Drop Leg Jack	Wireless Remote
Spare Tire (ST235/16 LR-E)	2 Watt Solar Charger
Spare Tire Mount	5 Watt Solar Charger
24" Expanded Metal Side Extensions - 12'	110V Charger
7' Slide In Ramps	Crank Style Roll Tarp
Adjustable Pintle in Channel	